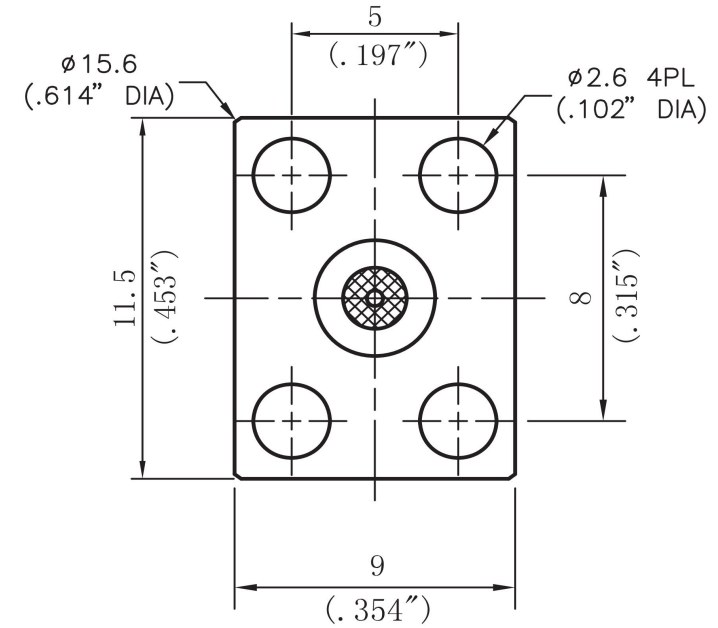
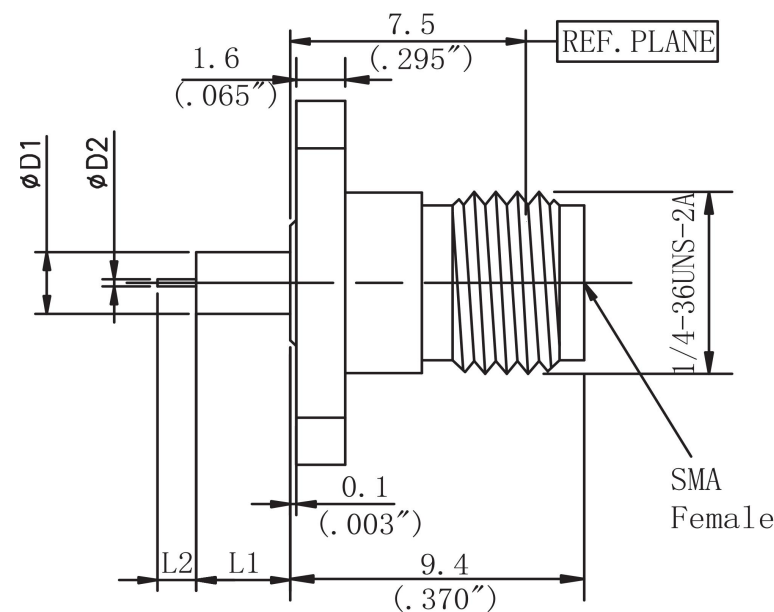


THIS DRAWING UNPUBLISHED. RELEASED FOR PUBUCATION

LOC		DIST		REVISIONS			
---	---	P	LTR	DATE	DWN	APVD	---
---	---	---	---	---	---	---	---



- NOTES:
- ELECTRICAL:
 - IMPEDANCE: 50Ω
 - INSULATION RESISTANCE: 5000M Ω
 - FREQUENCY RANGE: DC-27 GHz
 - DIELECTRIC WITHSTANDING VOLTAGE: 1000V MAX AT SEA LEVEL
 - VSWR: ≤1.15:1
 - INSERTION LOSS: 0.25dB (MAX)

- ENVIRONMENTAL:
 - TEMPERATURE RANGE: -55° to +165°

- MATERIAL AND FINISH:
 - INNER CONDUCTOR MATERIAL: BERYLLIUM BRONZE GOLD PLATING
 - EXTERNAL CONDUCTOR MATERIAL: STAINLESS STEEL PASSIVATED
 - INSULATOR: PTFE

MODEL	ØD1	ØD2	L1	L2
XQY-SAFP0103F13-M	2.2mm/0.087"	0.30mm/0.012"	3.2mm/0.126"	1.27mm/0.05"
XQY-SAFP0304F13-M	2.1mm/0.083"	0.64mm/0.025"	15.0mm/0.59"	3.0mm/0.118"
Accept custom sizes and styles				

THIS DRAWING IS A CONTROLLED DOCUMENT		21/10/2021	Shenzhen xinqiyuan Technology Co., Ltd.		
		CHK			
DIMENSIONSMM		TOLERANCES UNLESS OTHERWISE SPECIFIED: ±0.1 Note: Dimensions (mm / [inch])	APVD	NAME SMA Female RF Coaxial Connector Dielectric through	
			APPLICATION SPEC		
			WEIGHT	SIZE A4 CAGE CODE 01021 DRAWING NO XQY-SAFP0103F13-M	